



*We Put the Power of Light in Your Hand*

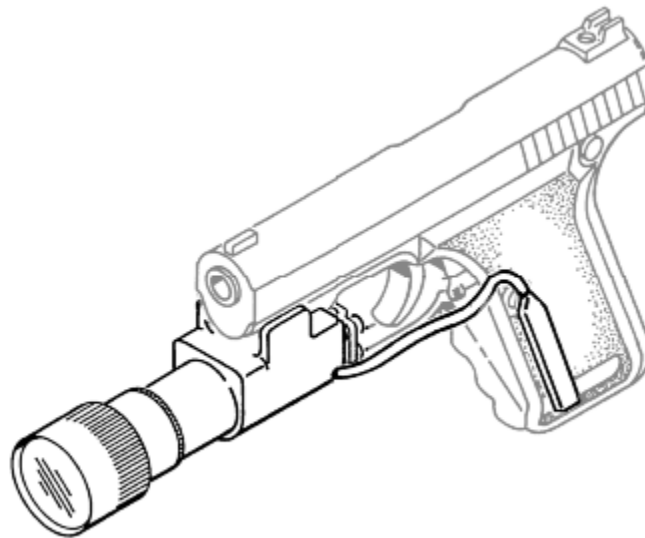
**Model 338H**

**638H**

**H&K P7 Waterproof Tactical Light**

---

***Users Manual***



**H&K P7 Pistol**

---

Revision N/C 11-1-96

# Model 338H & 638H Waterproof Tactical Light

---

## Introduction

The Model 338H & 638H Waterproof Tactical Lights provide a rugged and reliable source of high intensity light mounted below the barrel of the weapon. The lamp is shock isolated. The light can be activated by pressing on the Pressure Switch (waterproofed for deep submersion) attached to the handgrip.

## Kit Contents

- H38H Housing
- L30 or L60 Lamp Module
- DL123A or DL223AC Battery
- Velcro Hook & Loop
- Hex Wrench
- Alcohol Wipe
- Users Manual

## Installation

1. Remove the magazine from the weapon and inspect the weapon to be certain it is not loaded.
2. Position the H38H Housing below the frame, forward of the trigger guard.
3. Position the Clamp Plate inside the trigger guard with the four holes aligned with the holes in the Housing.
4. Install four socket head screws through the Clamp Plate into the Housing. Insure that the spacing between the Housing and the Clamp Plate is even on each side of the trigger guard.
5. Tighten the four screws with the hex wrench provided in the kit until the Housing is secure to the weapon. **DO NOT OVER TIGHTEN THE SCREWS.** The frame will distort and may impair the function of the weapon.
6. The Housing should be aligned with the bottom of the frame with no gap between the top of the Housing and the bottom of the frame.
7. Select the location desired on the weapon for mounting the Pressure Switch. Clean the surface of the weapon in the area selected for
8. Using the Velcro provided in the kit, remove the paper backing from the "loop" section of Velcro and press in place on the clean area selected.
9. Wipe the rear (flat) side of the Pressure Switch with alcohol to remove oil & dirt.
10. Remove the paper backing from the Velcro "hook" and press it in place on the rear side of the Pressure Switch at the end of the cable.
11. Position the Pressure Switch on the weapon over the Velcro pad. Route the cable so that it does not interfere with the weapon operation.
12. Install the Battery with the + terminal facing out.
13. Install the Lamp Module. The Tactical Light is now ready for use.
14. Apply pressure to the Pressure Switch to turn on the light. The light will stay on as long as pressure is maintained.

# Model 338H & 638H Waterproof Tactical Light

---

## **Lamp Replacement**

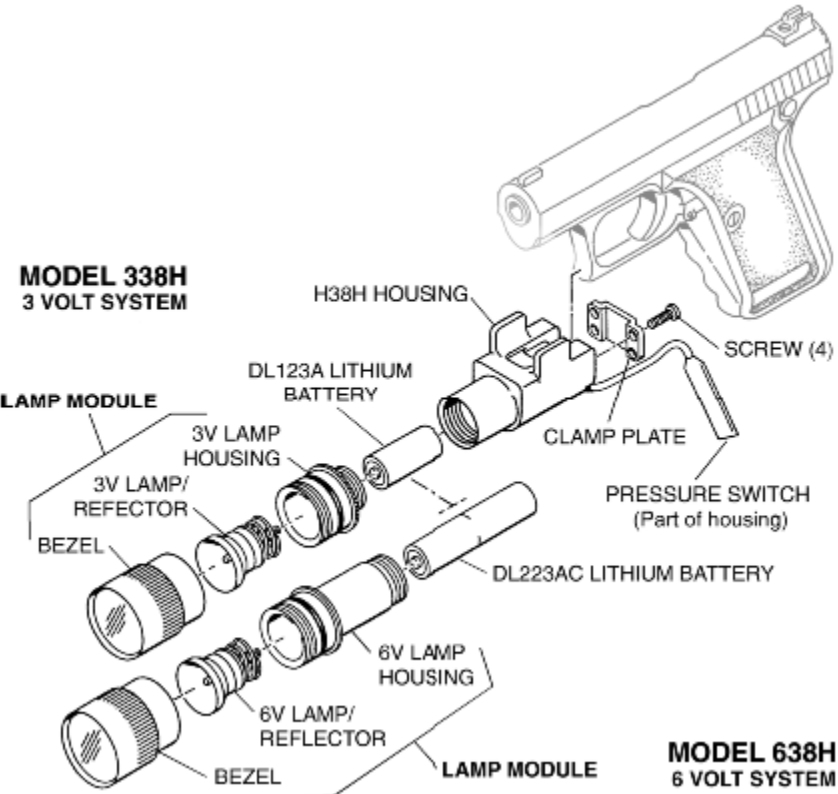
1. Unscrew Bezel from Lamp Module. Lift Lamp assembly out of Bezel.
2. Install replacement Lamp Assembly in Bezel and reassemble by screwing onto Lamp Housing until it is fully seated.

## **Battery Replacement**

1. Unscrew Lamp Module from Housing and shake out old battery.
2. Install new battery with the + terminal facing out.
3. Reinstall Lamp Module.

### **WARNING**

*Lithium batteries can explode or cause burns if disassembled, shorted, recharged or exposed to fire or high temperatures. Please handle with care.*



# Model 338H & 638H Waterproof Tactical Light

## Caution

The battery used in the light is very powerful. Be sure that the switch is not touching anything when the light is stored. If the lamp is turned on while in a case or other container, the lamp can overheat and damage the light or surrounding materials. Remove the battery or unscrew the bezel far enough to prevent the lamp from turning on when stored.

Do not use a 3 Volt Lamp Assembly in a 6 Volt system. The lamp will burn out Immediately!!! To identify a lamp assembly: the 3 volt lamp has a Red label and is marked R30, the 6 volt has a Blue or Green label and is marked R60 or P60.

If it is necessary to dispose of any batteries, do not do so by fire, mutilation or by disassembly, as this may cause toxic chemicals to be released.

## Repairs & Replacements

To obtain repair or replacement call Customer Service at 800-828-8809 (toll free) or 714-545-9444 and obtain a Return Authorization number (RA). Then pack the unit carefully and return (no COD's please) to:

SureFire LLC

Repairs Department, RA# \_\_\_\_

18300 Mt. Baldy Circle

Fountain Valley, CA 92708

Surefire will pay any reasonable shipping costs to return the unit to you.

## Warranty

**SureFire LLC warrants that its products will be free from defects in materials and workmanship. SureFire LLC will repair or replace (at its option), without charge, any product or part which is found to be defective under normal use and service. Such repair or replacement shall be the purchaser's sole and exclusive remedy under this warranty. This warranty does not include normal maintenance and services and does not apply to any products or parts which have been subject to modification, misuse, negligence, accident, improper maintenance or repair by anyone other than SureFire.**

### *"Fine Print" Warranty Limitation*

*There is no other express warranty. SureFire LLC hereby disclaims any and all implied warranties, including, but not limited to fitness for a particular purpose. SureFire LLC shall not be liable for incidental, consequential, or special damages arising out of, or in connection with product use or performance.*

um\_H38H\_6.B01

## WARNING

*Lithium batteries can explode or cause burns if disassembled, shorted, recharged or exposed to fire or high temperatures. Please handle with care.*